



Sharx Security Virtual Matrix:

Your offsite command and control center for all your high end IP cameras

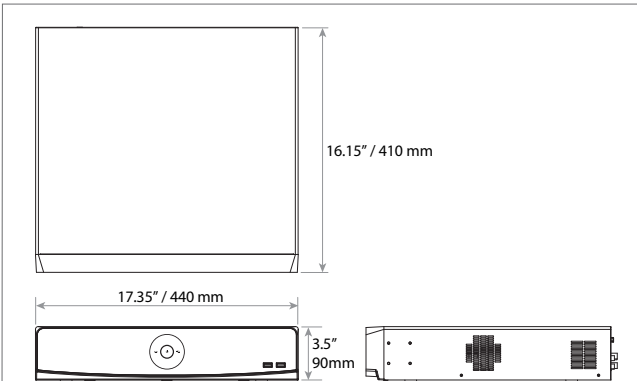
A new high-performance / bandwidth efficient solution for remote realtime live video wall display, backup recording, central management, and synchronized archive investigation

Ideal for property and business owners: a single box appliance to show live feeds from all remote full HD, 4MP or even 4K cameras, with the ability to play back the comprehensive history even if the primary on-site recorded video is temporarily unavailable or permanently lost due to theft or damage.

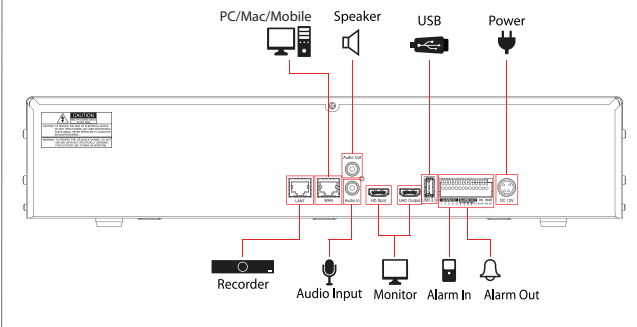
Key Functions

- 64 camera realtime live video of cameras at up to 8 separate locations (128 camera model available late 2019)
- realtime display of camera status, connection quality and bandwidth
- offsite backup recording without cloud server limitations or fees
- offsite instant access to all recordings.. even during internet outages or if primary recordings are lost due to fire, theft, vandalism
- special features to reduce internet bandwidth, required for real world deployment of massive numbers of remote full HD, 4 MP or 4K cameras

Dimensions



Rear Connection Map



Sharx HTVM64600

64 channel / 8 NVR central video wall & offsite RAID backup recorder



Key Features

- Command and control center for linking up to 8 Sharx 4K Network Video Recorders
- 64 channel real time display on 4K main monitor + HD sub monitor + browser + app
- 64 channel remote access
- 64 channel offsite backup recording
- H.264 / H.265 hardware codec for smooth motion at up to 4K resolution
- 1920 fps / 512 Mbps recording performance / 1920 fps display performance
- PC and Mac compatible (with free software) and free iOS / Android app
- 4 Internal drive bays supporting up to 12 TB each (drives not included in base version)
- 2 USB ports for kb/mouse, 1 USB3 port for backup, iSCSI support for external drives
- 2 monitor outputs (including one 4K HDMI) for continuous viewing of live video
- 4 hardware and 64 network alarm inputs, 2 outputs for integration with alarm system
- New feature: Supports free instant push notifications to iPhone / iPad / Android

Technical Specifications

Model	Sharx Security HTVM64600 - made in South Korea
VIDEO	
Video Input Resolution	Up to 8MP
Compression	H.264, H.265
Display Output	2 HDMI - Main(1), Sub(1)
Display Resolution	Main : 3840x2160, 1920x1080 / Sub : 1920x1080
Display Speed	30 fps across 64 channels - 1920 fps total
Display Mode	1/4/9/16/36/64 Split, Sequence, PIP
RECORDING	
Recording Speed	1920 fps: 64 channels each at up to 30 fps with 8 MP / 4K resolution
Max. Recording Throughput	512 Mbps total: 64 channels at up to 8 Mbps each
Recording Mode	Continuous, Motion, Alarm, C+M, C+A, M+A, C+M+A, Panic
Pre Alarm	1~5sec
Post Alarm	5sec~1hour
PLAYBACK	
Simultaneous Playback	1/4/9/16/36/64 Split, Sequence
Playback Mode	Backward, Forward 2~64x
Search Mode	Time, Event, Thumbnail
STORAGE	
Internal HDD	4 SATA Hard Disk Drives, up to 12 TB each, 48 TB total
RAID	0, 1, 5, 10
Backup	USB3
Backup File Format	H4V, MP4
FUNCTION	
User Interface	Mouse (included), USB/RS485 Keyboard (optional), Professional jog/shuttle dial controller with joystick (optional)
WARP interface to remote NVR	Live, Playback, Setup & Search
Virtual Matrix	64 channels Live, Recording, Playback, Setup & Search
NETWORK	
Ethernet	2 Gigabit RJ45 10/100/1000 Base-T, one LAN and one WAN connection
Max. Output Throughput	Supporting bandwidth limited or unlimited modes Unlimited bandwidth mode can support up to 576 Mbps throughput
Remote Monitoring	Free Titanium V2 software for PC & Mac, free iPhone/iPad/Android app
EXTERNAL IN/OUT	
Audio In	1 RCA (Microphone), 64 Network Audio (in G.711 format)
Audio Out	1 RCA, 1 HDMI
Alarm In	4 Inputs (Terminal Block), 64 network alarm connections through cameras
Alarm Out	2 Outputs (Terminal Block)
Serial Port	2 RS485 (Terminal Block)
USB	2 USB2.0 (Front) for mouse and keyboard, 1 USB3.0 (Rear) for backup drive
ETC	
Operating Humidity	0~90% RH (Non-Condensing)
Operating Temperature	32 -113 degrees F, 0 - 45 degrees °C
Power Supply	12 VDC / 7A (included)
Power Consumption	50W (assuming up to 4 hard drives installed)
Dimension(WxHxD)	17.35" x 3.5" x 16.15" / 440 mm x 90 mm x 410 mm
Net Weight	Approx. 11.25 lbs / 5.1 kg (without hard drives)



www.sharxsecurity.com
info@sharxsecurity.com
Copyright © 2019 Sharx Security, Inc. All rights reserved.

Specifications are subject to change without notice.