



### Key Functions

- Video Analytics: Intelligent Motion Detection, Intrusion and Tamper Detection
- Quad Stream (H.264/H.265, MJPEG) for simultaneous access to lo and hi res
- Onvif Profile S for compatibility with existing NVRs or software
- Easy Installation with IP Discovery software for Windows or Bonjour for Mac
- Full support for Internet Explorer, partial support for other browsers

### Other Models in this series

- HTNC4430XIR (2MP / 60 fps / 30X PTZ with even further 1300 ft night vision)
- HTNC5803DM (4K / 8 MP mini dome with 3x zoom, no pan/tilt)
- HTNC6000D (12 MP fish eye dome with browser based de-warp)

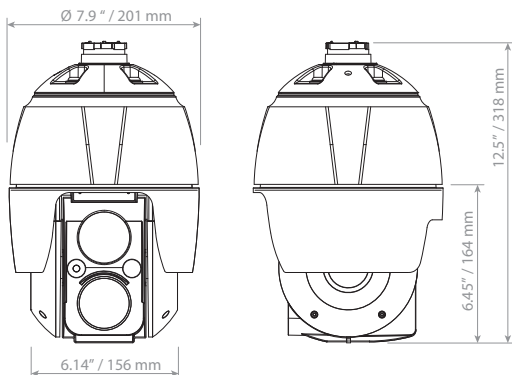
### Software

- Includes free Titanium 256 camera viewing software for PC and Mac (requires Sharx Security NVR for recording)
- Supports Milestone VMS (free for 8 cameras, any resolution, no time limit)
- Supports 16 Camera Blueiris on PCs, 16 camera SecuritySpy on Mac
- Supports Luxriot, Genetec, Aimetis, SightHound, OpenALPR, IPTimeLapse, VLC

### Optional Sharx Accessories

- **HWPTZ** heavy duty wall bracket, compatible with pole mount **HCPM**
- **HPMPTZ** heavy duty pendant style ceiling mount
- **HRMPTZ** heavy duty roof / parapet mount
- **HCPM** heavy duty pole mount / corner mount, requires **HWPTZ**
- **HTCP2701:** PoE power + networking for up to 1.5 miles range over coax
- **HTNR16621:** 480 fps 16-camera 4K NVR (16 PoE), up to 24 TB storage
- **HTNR32620:** 960 fps 32-camera 4K NVR (16 PoE), up to 48 TB storage
- **HTVM64600:** 1920 fps 64-camera 2/4/8 NVR link, up to 48 TB offsite storage
- **HTVM80600S:** 3840 fps 128-camera 2/4/8 NVR link, up to 96 TB offsite storage

### Dimensions



# Sharx HTNC5830XIR

4K / 8 MP Outdoor PTZ Camera, 30X Zoom, 1000 ft IR night vision

### Key Features

- 4K (8 Megapixel) Resolution @ 30 fps, H.264 or H.265
- Motorized Vari-Focal 6 to 180 mm, full PTZ motorized 30x optical zoom and auto focus
- 360 degrees endless pan / rotation, 380 degrees per second pan/ tilt speed
- 100 degrees tilt range
- True Day & Night mode with 1000 ft / 300 m IR night vision in total darkness
- Wide Dynamic Range (color during the day, black & white with IR at night)
- Connectors for Audio In/Out (1/1), Alarm In/Out (1/1)
- MicroSDHC or MicroSDXC card up to 256 GB
- H-PoE, 12VDC (56V H-PoE power supply included)
- Gigabit Ethernet (10/100/1000)
- Solid metal base and choice of heavy duty metal mounts: wall, ceiling, roof, pole or corner

### Technical Specifications

Model		HTNC5830XIR (Made in South Korea)
<b>IMAGE</b>		
Lens		Motorized Varifocal Zoom 6~180 mm, F1.5, built in P Iris
Angle of View		55° (standard view) to 2.7° (super telephoto), horizontal measurement
Image Sensor	Type	1/1.7" Sony Starvis sensor
	Pixels	3840 (H) x 2160 (V)
Min. Illumination		Color : 0.75Lux@50IRE / BW : 0Lux(IR LED On)
Scanning Mode		Progressive Scan
Wide Dynamic Range		WDR, 3 levels (low, medium high)
Day and Night Mode		True Day & Night (Auto, Day, Night)
Noise Reduction		3DNR
Digital Zoom		Yes
Exposure Control		Auto
White Balance Control		Auto, Incandescent, Fluorescent, Outdoor, Manual
Metering Mode		Spot, Center, Average, Left, Right, Bottom
Image Effect		Flip, Mirror, Defog
Flicker Free Mode		50Hz, 60Hz
Shutter Speed		Auto(1/20,000 to 1sec), Manual
IR Illuminator	Quantity	1 high power IR LED array, adjustable strength
	Angle	IR zoom synchronized with video zoom
	Distance	Up to 1000 ft / 300 m IR night vision in total darkness
<b>PTZ FUNCTION</b>		
Pan Range/Tilt Range/speed		360° endless pan range / -10 - +90° tilt range / 380° per sec pan/tilt speed
<b>VIDEO/AUDIO</b>		
Compression		H.264/H.265 (Baseline, Main, High Profile), MJPEG
Bitrate Control		CBR, CVBR
Resolution		3840x2160, 3072x2048, 2592x1944/1520, 2560x1440, 1920x1080, 1440x1080, 1280x1024/720, 1024x768, 800x600/480, D1, 640x480, CIF
Frame Rate		Max 30 fps @ all resolutions
Streaming		Quad Stream : H.264 / H.265x3, MJPEGx1
Composite Out		Yes with optional cable (special order only)
Audio Compression		G.711 (with user supplied external amplified microphone)
Audio Streaming		2 Way (with user supplied external amplified speaker)
<b>SYSTEM</b>		
Video Analysis		Intelligent motion detection, intrusion detection, tampering
Motion Detection Area		16 Programmable Areas (8 Include Areas, 8 Exclude Areas)
Privacy Zones		8 Privacy Zones
Email Attachment or FTP Upload		JPEG
Event Notification		E-mail, FTP, Notification Server, XML Notification, Audio Alert, AIHM
Audio Alert		User-Defined 3 Audio Files
Login Authority		Administrator, Operator, Guest
Event Buffering	FTP	Pre : 30sec, Post : 30sec
	SD Record	Pre : 10sec, Post : 60sec
Manual Trigger		4 Programmable Triggers
Security		Multi User Authority, IP Filtering, HTTPS, SSL
Network Time Sync		NTP Server, Synchronized Computer, Manual
Software Reset		Restart, Reset, Factory Default
Hardware Factory Reset		Yes
Auto Recovery		Backup, Restore
Remote Upgrade		Yes, through web browser, SmartManager or Titanium software
SD Recording Mode		Event, Continuous
<b>NETWORK</b>		
Protocol		TCP/IP, UDP, IPv4/v6, HTTP, HTTPS, QoS, FTP, UPnP, RTP, RTSP, RTCP, DHCP, ARP, Zeroconf, Bonjour, OpenVPN
Client Software		Internet Explorer, Titanium, Milestone, LuxRiot, Blueiris, SecuritySpy, VLC
Max. User Connection		Live : up to 10 Users, Playback : up to 3 Users
API Support		Open API, Onvif Compliance
Mobile Support		Mobilinc, tinyCam, ONVIF compatible apps, free Titanium for use with NVR
<b>EXTERNAL IN/OUT</b>		
Audio		1 Input, 1 Output (RCA Jack)
Alarm		4 Inputs, 1 Output(Terminal Block)
Ethernet		RJ-45 Gigabit (10/100/1000)
u-SD Card		MicroSDHC, MicroSDXC (Max 256GB, class 10 or faster)
<b>ETC</b>		
Operating Humidity		0 to 100%RH (Weatherproof in rain, snow, ice conditions)
Operating Temperature		-22F to +130 degrees Fahrenheit (-30 to +55 °C)
Power Supply		H-PoE (802.3bt compliance, class 5), 12VDC
Power Consumption		500mA (28 W)@PoE / 2.3A (28 W) @ 12VDC
Dimension		7.9" (dia) x 12.5" (Height) / 201 mm (dia) x 318 mm (H)
Net Weight		Approx. 11.25 lbs (5.1 kg)
Ingress Protection		IP66



www.sharxsecurity.com  
info@sharxsecurity.com

Copyright © 2019 Sharx Security, Inc. All rights reserved.

Specifications are subject to change without notice.