



Sharx HTNC5803M

4K / 8 Megapixel Outdoor Day/Night Camera, Motorized 3x Zoom



Key Functions

- Video Analytics: Intelligent Motion Detection, Intrusion and Tamper Detection
- Quad Stream (H.264/H.265, MJPEG) for simultaneous access to lo and hi res
- Onvif Profile S for compatibility with existing NVRs or software
- Easy Installation with IP Discovery software for Windows or Bonjour for Mac
- Full support for Internet Explorer, partial support for other browsers
- Advanced Intelligent Health Management automated diagnostic notification
- Event Boosting, FTP Image Upload, Open VPN, QoS, IP Filtering
- Event Buffering for showing video prior to motion detection or other event

Other Models in this series

- HTNC5803DM (same camera in dome housing)
- HTNC5404M, HTNC5404DM (4MP bullet and dome versions)
- HTNC5830XIR (IR PTZ, 30 x zoom, 4K / 8 MP, extended IR 1000 ft night vision)
- HTNC6000D (12 MP fish eye dome with browser based de-warp)

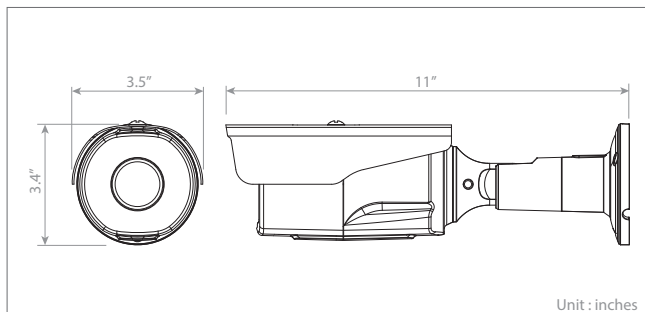
Software

- Includes free Titanium V2 256 camera viewing software for PC and Mac (requires MicroSD or Sharx Security NVR for recording, NVR recommended)
- Supports Milestone VMS (free for 8 cameras, any resolution, no time limit)
- Supports 16 Camera Blueiris on PCs, 16 camera SecuritySpy on Mac
- Supports Luxriot, Genetec, Aimetis, SightHound, OpenALPR, IPTimeLapse, VLC

Optional Sharx Accessories

- HJB outdoor junction box, original rectangular shape, suitable for pre-wiring
- HCB indoor / outdoor conduit box, round, compatible with pole mount HCPM
- HCPM heavy duty corner mount / pole mount, requires HCB conduit box
- HTCP2701: PoE power + networking for up to 1.5 miles range over coax
- HTNR16621: 480 fps 16-camera 4K NVR (16 PoE), up to 24 TB storage
- HTNR32620: 960 fps 32-camera 4K NVR (16 PoE), up to 48 TB storage
- HTVM64600: 1920 fps 64-camera 2/4/8 NVR link, up to 48 TB offsite storage
- HTVM80600S: 3840 fps 128-camera 2/4/8 NVR link, up to 96 TB offsite storage

Dimensions



Key Features

- 4K (8 Megapixel) Resolution @ 30 fps, H.264 or H.265
- Gigabit Ethernet (10/100/1000)
- Motorized Varifocal 3.6 to 11 mm Lens, Motorized 3x optical zoom with smart focus
- True Day & Night
- Wide Dynamic Range (color during the day, black & white with IR at night)
- 34 adjustable power IR LEDs for up to 30 m / 100 ft night vision coverage in total darkness
- Connectors for Audio In/Out (1/1), Alarm In/Out (1/1)
- Solid metal construction, cable connection concealed in camera mount
- Mounts to wall, eave or ceiling with or without optional square or round junction box
- MicroSDHC or MicroSDXC card up to 256 GB
- PoE, 12VDC (power supply not included, camera can be powered by Sharx Security NVR)

Technical Specifications

Model		Sharx Security HTNC5803M - made in South Korea
IMAGE		
Lens		Motorized Varifocal Zoom 2.8~12mm, F1.5, built in P Iris
Angle of View		87° (wide angle) to 38° (moderate telephoto), horizontal measurement
Image Sensor	Type	1/2.5" Sony Starvis sensor
	Pixels	3840 (H) x 2160 (V)
Min. Illumination	Color : 0.03Lux / BW : 0 Lux@ F1.5, 50IRE (IR LED On)	
Scanning Mode	Progressive Scan	
Wide Dynamic Range	WDR, 3 levels (low, medium high)	
Day and Night Mode	True Day & Night (Auto, Day, Night)	
Noise Reduction	3DNR	
Digital Zoom	Yes	
Exposure Control	Auto	
White Balance Control	Auto, Incandescent, Fluorescent, Outdoor, Manual	
Metering Mode	Spot, Center, Average, Left, Right, Bottom	
Image Effect	Flip, Mirror, Defog	
Flicker Free Mode	50Hz, 60Hz	
Shutter Speed	Auto(1/20,000 to 1sec), Manual	
IR Illuminator	Quantity	34 IR LEDs, adjustable strength
	Angle	76°(H)
	Distance	Up to 100 ft / 30 m IR night vision in total darkness
Motorized Lens Control		Yes
VIDEO/AUDIO		
Compression	H.264/H.265 (Baseline, Main, High Profile), MJPEG	
Bitrate Control	CBR, CVBR	
Resolution	3840x2160, 3072x2048, 2592x1944/1520, 2560x1440, 1920x1080, 1440x1080, 1280x1024/720, 1024x768, 800x600/480, D1, 640x480, CIF	
Frame Rate	Max 30 fps @ all resolutions	
Streaming	Quad Stream : H.264 / H.265x3, MJPEGx1	
Composite Out	Yes with optional cable (special order only)	
Audio Compression	G.711 (with user supplied external amplified microphone)	
Audio Streaming	2 Way (with user supplied external amplified speaker)	
SYSTEM		
Video Analysis	Intelligent motion detection, intrusion detection, tampering	
Motion Detection Area	16 Programmable Areas (8 Include Areas, 8 Exclude Areas)	
Privacy Zones	4 Privacy Zones	
Email Attachment or FTP Upload	JPEG	
Event Notification	E-mail, FTP, Notification Server, XML Notification, Audio Alert, AIHM	
Audio Alert	User-Defined 3 Audio Files	
Login Authority	Administrator, Operator, Guest	
Event Buffering	FTP	Pre : 30sec, Post : 30sec
	SD Record	Pre : 10sec, Post : 60sec
Manual Trigger	4 Programmable Triggers	
Security	Multi User Authority, IP Filtering, HTTPS, SSL	
Network Time Sync	NTP Server, Computer Sync, Manual	
Software Reset	Restart, Reset, Factory Default	
Hardware Factory Reset	Yes	
Auto Recovery	Backup, Restore	
Remote Upgrade	Yes, through web browser, SmartManager or Titanium software	
SD Recording Mode	Event, Continuous	
NETWORK		
Protocol	TCP/IP, UDP, IPv4/v6, HTTP, HTTPS, QoS, FTP, UPnP, RTP, RTSP, RTPC, DHCP, ARP, Zeroconf, Bonjour, OpenVPN	
Client Software	Internet Explorer, Titanium, Milestone, LuxRiot, Blueiris, SecuritySpy, VLC	
Max. User Connection	Live : up to 10 Users, Playback : up to 3 Users	
API Support	Open API, Onvif Compliance	
Mobile Support	Mobilinc, tinyCam, ONVIF compatible apps, free Titanium for use with NVR	
EXTERNAL IN/OUT		
Audio	1 Input, 1 Output(Terminal Block)	
Alarm	1 Input, 1 Output(Terminal Block)	
Ethernet	RJ-45 Gigabit (10/100/1000)	
u-SD Card	MicroSDHC, MicroSDXC (Max 256GB, class 10 or faster)	
ETC		
Operating Humidity	0 to 100%RH (Weatherproof in rain, snow, ice conditions)	
Operating Temperature	-4 to +120 degrees Fahrenheit (-20 to +50 °C)	
Power Supply	PoE (802.3af compliance), 12VDC	
Power Consumption	200mA (9.6 W) @ PoE / 710mA (8.3 W) @ 12VDC	
Dimension	3.5" (Width) x 3.4" (Height) x 9" (Length) / 90 (W) x 86 (H) x 279 (D) mm	
Net Weight	Approx. 2.25 lbs (1.03 kg)	
Ingress Protection	IP66	



www.sharxsecurity.com
info@sharxsecurity.com

Copyright © 2019 Sharx Security, Inc. All rights reserved.

Specifications are subject to change without notice.