



Sharx HTNC4300DM

3MP Indoor Micro Dome Network Camera - made in Korea



Key Functions

- Auto Exposure, Auto White Balance
- Triple Stream(H.264, MJPEG)
- Onvif Profile S
- Easy Install : Zero Configuration, Discovery, PoE
- Event Boosting, FTP Image Upload, Open VPN, QoS, IP Filtering
- Privacy Masking
- Video Content Analysis

Other models in this series

- **HTNC4403DM** (indoor/outdoor IR dome, 3x motorized zoom)
- **HTNC4503M, HTNC4503DM** (5 MP, 3x motorized zoom, IR bullet or dome)
- **HTNC4420PTZ** (indoor/outdoor PTZ dome, 20x autofocus zoom)
- **HTNC4430XIR** (IR PTZ, 30x autofocus zoom, extended IR 1300 ft night vision)

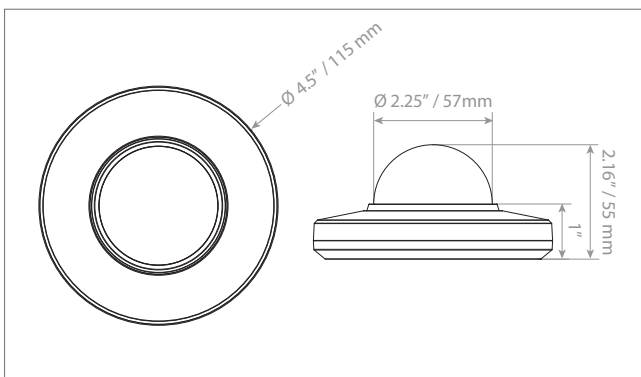
Software

- Includes free 256 camera viewing software for PC and Mac (record with NVR)
- Supports free 8 camera Milestone VMS or free 9 camera LuxRiot (full HD only)
- Supports 16 camera Blueiris on PCs, 16 camera SecuritySpy on Mac
- Supports many other ONVIF surveillance / monitoring software packages including Genetec, Aimetis, Sighthound for PC and Mac

Optional Sharx Accessories

- **HIB** Indoor wall / ceiling junction box
- **HPM** Chandelier style ceiling pendant mount
- **HTCP2701:** PoE power + networking for up to 1.5 miles range over coax
- **HTNR16560:** 480 fps 16-camera 5 MP NVR with PoE, up to 24 TB storage
- **HTNR32620:** 960 fps 32-camera 4K NVR with PoE, up to 48 TB storage
- **HTVM64600:** 1920 fps 64-camera 2/4/8 NVR link, up to 48 TB offsite storage
- **HTVM80600S:** 3840 fps 128-camera 2/4/8 NVR link, up to 96 TB offsite storage

Dimension



Key Features

- Stylish compact micro dome design (available without logo)
- 3MP Resolution 30 fps
- Fixed 2.6mm super wide angle lens
- Basic wide dynamic range / backlight compensation (72 db, Sony ATR-EX)
- Built in de-warp / distortion compensation (reduces fish eye effect without CPU load on PC)
- PoE
- Suitable for US government applications - made in Korea without Huawei components

Technical Specifications

Model	HTNC4300DM - made in South Korea	
IMAGE		
Lens	Fixed 2.6mm, F2.0	
Angle of View	107°(H)	
Image Sensor	Type	1/2.8" SONY STARVIS CMOS Sensor
	Pixels	2048(H)x1536(V), 3.21M Pixels
Min. Illumination	Color : 0.2Lux	
Scanning Mode	Progressive Scan	
Wide Dynamic Range	Basic WDR (Sony ATR-EX, 72dB)	
Day and Night Mode	Automatic change to black & white at night, no IR night vision	
Noise Reduction	2DNR, 3DNR	
Digital Zoom	Yes(ROI)	
Exposure Control	Auto	
White Balance Control	Auto, Incandescent, Fluorescent, Outdoor, Manual	
Back Light Compensation	BLC, HLC	
Image Effect	Flip, Mirror, Aisle, Defog, S-LDC	
Flicker Free Mode	50Hz, 60Hz	
Shutter Speed	Auto(1/10,000~1sec), Manual	
VIDEO/AUDIO		
Compression	H.264(Baseline, Main, High Profile), MJPEG	
Bitrate Control	CVBR, VBR	
Resolution	2048x1536, 1920x1080, 1280x1024, 1280x720/960, 1024x768, 704x480/576, 640x360/480, 320x240	
Frame Rate	Max. 30 fps	
Streaming	30 fps (Triple Stream : H.264x2, MJPEGx1)	
SYSTEM		
Video Contents Analysis	Tampering, Line Detector, Field Detector	
Motion Detection Area	16 Programmable Area(Include Area 8, Exclude Area 8)	
Privacy Mask Zone	8 Programmable Zone	
FTP Uploading	JPEG	
Event Notification	E-mail, FTP, Notification Server, XML Notification, AIHM	
Audio Alert	User Defined 3 Audio Files	
Event Buffering	FTP	Pre : 30sec, Post : 30sec
	SD Record	Pre : 10sec, Post : 60sec
Login Authority	Administrator, Operator, Guest	
Manual Trigger	4 Programmable Trigger	
Security	Multi User Authority, IP Filtering, HTTPS, SSL	
Network Time Sync	NTP Server, Synchronized Computer, Manual	
Software Reset	Restart, Reset, Factory Default	
Hardware Factory Reset	Yes	
Auto Recovery	Backup, Restore	
Remote Upgrade	Through browser, SmartManager, or Titanium software	
NETWORK		
Protocol	TCP/IP, UDP, IPv4/v6, HTTP, HTTPS, QoS, FTP, UPnP, RTP, RTSP, RTPC, DHCP, ARP, Zeroconf, Bonjour	
Client Software	Internet Explorer, SmartManager, Titanium Software	
Max. User Connection	Live : 10 Users, Playback : 3 Users	
API Support	Open API, Onvif Compliance	
Mobile Support	free Android / iOS app when used with Sharx NVR	
EXTERNAL IN/OUT		
Ethernet	RJ-45(10/100Base-T)	
Audio	1 Input, 1 Output(5P CONN)	
Alarm	1 Input, 1 Output(5P CONN)	
u-SD Card	SDHC/SDXC	
ETC		
Operating Humidity	0~90%RH(Non-Condensing)	
Operating Temperature	+14 F to +113 F / -10 to +45 C	
Power Supply	PoE (802.3af Compliance, Class0) / 12VDC	
Power Consumption	83mA, 4.0W@PoE 300mA, 3.6W@12VDC	
Dimensions	4.5" / 115 mm diameter x 2.16" / 55 mm height	
Net Weight	0.5 lbs / 235 g	

Specifications are subject to change without notice.



www.sharxsecurity.com
info@sharxsecurity.com

Copyright © 2019 Sharx Security, Inc. All rights reserved.