



Sharx HTNC2404M

4 Megapixel Outdoor Day/Night Camera, Motorized 4x Zoom

Key Features

- 4 Megapixel Resolution, H.264 or H.265 - 20 fps @ 4 MP, 30 fps @ 2 MP / full HD 1080P
Note: For 30 fps @ 4 MP consider the higher performance model HTNC5404M
- Motorized Varifocal 2.8 to 12 mm F1.6 Lens, Motorized 4x optical zoom with smart focus
- True Day & Night
- Basic Wide Dynamic Range (color during the day, black & white with IR at night)
- 30 IR LEDs for up to 80 ft / 25m night vision coverage in total darkness
- Simple connection: only Ethernet (PoE) and 12 V DC
- Solid metal housing, cable connection concealed in camera mount
- Mounts to wall, eave or ceiling
- PoE, 12VDC (power supply not included, camera can be powered by Sharx Security NVR)

Key Functions

- Quad Stream (H.264/H.265, MJPEG) for simultaneous access to lo and hi res
- Onvif Profile S for compatibility with existing NVRs or software
- Easy installation with IP Discovery software for Windows or Bonjour for Mac (free Titanium V2 software for PC / Mac can also discover & setup IP address)
- Full support for Internet Explorer, partial support for other browsers
- Event Boosting, FTP Image Upload, Open VPN, QoS, IP Filtering
- Event Buffering for showing video prior to motion detection or other event
- Video Analytics: intelligent motion, intrusion, tamper detection

Other Models in this series

- HTNC2401** (mini bullet style with fixed wide angle lens, no zoom)
- HTNC2404TM** (turret style with 4x motorized zoom, dual IR array)
- HTNC5404M** (higher performance camera with 30 fps, 4x motorized zoom)
- HTNC5803M** (much higher performance 4K - 8 MP / 30 fps camera, 3x zoom)

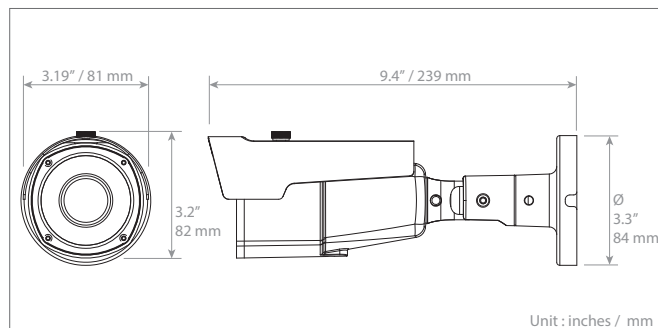
Software

- Includes free Titanium V2 256 camera viewing software for PC and Mac (requires Sharx Security NVR for recording)
- Supports Milestone VMS (free for 8 cameras, any resolution, no time limit)
- Supports 16 Camera BlueIris on PCs, 16 camera SecuritySpy on Mac
- Supports Luxriot, Genetec, Aimetis, SightHound, OpenALPR, IPTimeLapse, VLC

Optional Sharx Accessories

- HCB** indoor / outdoor conduit box, round, compatible with pole mount **HCPM**
- HCPM** heavy duty corner mount / pole mount, requires **HCB** conduit box
- HTCP2701:** PoE power + networking for up to 1.5 miles range over coax
- HTNR16560:** 480 fps 16-camera 5 MP NVR (16 PoE), up to 24 TB storage
- HTNR16621:** 480 fps 16-camera 4K NVR (16 PoE), up to 24 TB storage
- HTNR32620:** 960 fps 32-camera 4K NVR (16 PoE), up to 48 TB storage
- HTVM64600:** 1920 fps 64-camera 2/4/8 NVR link, up to 48 TB offsite storage
- HTVM80600S:** 3840 fps 128-camera 2/4/8 NVR link, up to 96 TB offsite storage

Dimensions



Technical Specifications

Model	Sharx Security HTNC2404M	
IMAGE		
Lens	Motorized Varifocal Zoom 2.8~12mm	
Angle of View	94° (wide angle) to 34° (moderate telephoto), horizontal measurement	
Image Sensor	Type	1/3" CMOS Sensor
	Pixels	2688(H) x 1520(V)
Min. Illumination	Color: 0.1Lux@F1.6, B/W: 0Lux@F1.6, IR LED On	
Scanning Mode	Progressive Scan	
Wide Dynamic Range	Basic Wide Dynamic Range (3 levels: Low, Medium, High)	
Day and Night Mode	True Day & Night (Auto, Day, Night)	
Noise Reduction	3DNR	
Digital Zoom	Yes	
Exposure Control	Auto	
White Balance Control	Auto, Manual	
Metering Mode	Spot, Center, Average, Left, Right, Bottom	
Image Effect	Flip, Mirror, Defog	
Flicker Free Mode	50Hz, 60Hz	
Shutter Speed	Auto(1/20,000 to 1sec), Manual	
IR Illuminator	Quantity	30 IR LEDs, fixed strength
	Angle	90°(H)
	Distance	Up to 80 ft / 25 m IR night vision in total darkness
Motorized Lens Control	Yes	
VIDEO/AUDIO		
Compression	H.264/H.265 (Baseline, Main, High Profile), MJPEG	
Bitrate Control	CBR, CVBR	
Resolution	2592x1520, 2304x1296, 1920x1080, 1440x1080, 1280x1024/720, 1024x768, 800x600/480, 720x480 (D1), 640x480, 400x240, 320x240 (CIF)	
H.264/H.245 Frame Rate	4 MP capture mode: 20 fps, 2 MP capture mode: 30 fps	
Streaming	Quad Stream : H.264 / H.265x3, MJPEGx1	
Composite Out	No	
Audio Compression	No	
Audio Streaming	Not supported, consider HTNC5404M if you need audio	
SYSTEM		
Video Analysis	Intelligent motion detection, intrusion detection, tampering	
Motion Detection Area	16 Programmable Areas (8 Include Areas, 8 Exclude Areas)	
Privacy Zones	4 Privacy Zones	
Email Attachment or FTP Upload	JPEG	
Event Notification	E-mail, FTP, Notification Server, XML Notification	
Audio Alert	Not supported	
Login Authority	Administrator, Operator, Guest	
Event Buffering	FTP	Pre : 30sec, Post : 30sec
	SD Record	No SD / MicroSD support
Manual Trigger	4 Programmable Triggers	
Security	Multi User Authority, IP Filtering, HTTPS, SSL	
Network Time Sync	NTP Server, Computer Sync, Manual	
Software Reset	Restart, Reset, Factory Default	
Hardware Factory Reset	Yes	
Auto Recovery	Backup, Restore	
Remote Upgrade	Yes, through web browser, SmartManager or Titanium software	
SD Recording Mode	Not supported, consider HTNC5404M if you need MicroSD recording	
NETWORK		
Protocol	TCP/IP, UDP, IPv4/v6, HTTP, HTTPS, QoS, FTP, UPnP, RTP, RTSP, RTCP, DHCP, ARP, Zeroconf, Bonjour, OpenVPN	
Client Software	Internet Explorer, Titanium, Milestone, LuxRiot, BlueIris, SecuritySpy, VLC	
Max. User Connection	Live : up to 10 Users, Playback : up to 3 Users	
API Support	Open API, Onvif Compliance	
Mobile Support	Mobilinc, tinyCam, ONVIF compatible apps, free Titanium for use with NVR	
EXTERNAL IN/OUT		
Audio	Not supported: consider HTNC5404M if you need audio	
Alarm	Not supported, consider HTNC5404M if you need alarm I/O	
Ethernet	RJ-45(10/100Base-T)	
MicroSD Card	Not supported, consider HTNC5404M if you need MicroSD recording	
ETC		
Operating Humidity	0 to 100% RH (Weatherproof in rain, snow, ice conditions)	
Operating Temperature	-4 to +120 F (-20 to +50 °C) Note: model HTNC4410M has wider range	
Power Supply	PoE (802.3af compliance), 12VDC	
Power Consumption	145 mA (7 W) @ PoE / 480 mA (5.8 W) @ 12VDC	
Dimension	3.19" (Width) x 3.2" (Height) x 9.4" (Length) / 81 (W) x 82 (H) x 239 (L) mm	
Net Weight	Approx. 1.3 lb (600 g)	
Ingress Protection	IP66	



www.sharxsecurity.com
info@sharxsecurity.com

Copyright © 2019 Sharx Security, Inc. All rights reserved.

Specifications are subject to change without notice.