



Sharx HTNC4430XIR

Full HD 60 fps Outdoor PTZ 30x Zoom 1200 ft IR Night Vision



Key Functions

- Auto Exposure, Auto White Balance, Backlight Compensation
- Triple Stream (H.264, MJPEG) for simultaneous access to lo and hi resolution
- Onvif Profile S for compatibility with existing NVRs or software
- Easy Installation with IP Discovery software for Windows or Bonjour for Mac
- Full support for Internet Explorer, partial support for other browsers
- Advanced Intelligent Health Management automated diagnostic notification
- Event Boosting, FTP Image Upload, Open VPN, QoS, IP Filtering
- Privacy Masking with Face Detection
- Event Buffering for showing video prior to motion detection or other event

Similar Models in this series

- HTNC4410M** (10 x motorized zoom)
- HTNC4503M** (5 Megapixel, 3 x motorized zoom)
- HTNC4403DM** (IR dome, 3 x zoom)
- HTNC4420PTZ** (PTZ dome, 20 x zoom)

Software

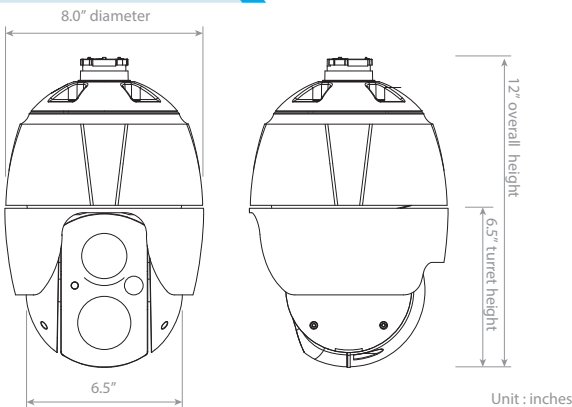
- Includes free 64 camera recording / viewing software for PC, viewing for Mac
- Supports free 8 camera Milestone VMS or free 9 camera LuxRiot EVO VMS
- Supports 16 camera Blueiris on PCs, 16 camera SecuritySpy on Mac
- Supports 24 camera LuxRiot EVO S (available from Sharx Security)
- Supports 5000 camera LuxRiot Global (available from Sharx Security)

Optional Sharx Accessories

- HDB2** Extra Heavy Duty Wall Mount Bracket included, suitable for pre-wiring
- ECP or ETP** series PoE extenders for up to 1.5 miles range over Coax or Cat5e
- HTNR16560**: 480 fps 16-camera NVR with PoE, up to 20 TB local storage
- HTNR32620**: 960 fps 32-camera NVR with PoE, up to 40 TB local storage
- HTNR64600S**: 1920 fps 64-camera NVR, up to 80 TB local storage
- HTVM80600S**: 3840 fps 128-camera 2/4/8 NVR Link, up to 80 TB offsite storage

NOTE: HTNR16560 and HTNR32620 can provide power for standard PoE cameras but this model HTNC4430XIR must be powered by the high power 56V PoE+ injector included with the camera

Dimensions



Key Features

- Full HD (1920x1080) 60 fps for capturing fast motion or 30 fps for higher light sensitivity
- Motorized Vari-Focal 4.3 to 129 mm, full PTZ motorized 30 x optical zoom and auto focus
- True Day & Night mode with 1200 ft IR night vision in total darkness
- True Wide Dynamic Range (120dB)
- 360 degrees endless pan / rotation, 380 degrees per second pan or tilt speed with presets
- 100 degrees tilt range
- 256 preset PTZ settings including tours, scans, privacy and motion presets
- Solid metal base and mount with concealed cable connection (wall bracket included)
- MicroSDHC Card up to 256 GB (optionally available from Sharx Security)
- High Power PoE, 12VDC (56 V PoE power supply is included)

Technical Specifications

| Model | | HTNC4430XIR |
|---------------------------------|--|-----------------------------------|
| IMAGE | | |
| Lens | Motorized Vari-Focal Optical Zoom 30X, 4.3~129mm | |
| Angle of View | 65° (moderate wide angle) ~ 2.23° (super telephoto) | |
| Image Sensor | Type | 1/2.8" SONY STARVIS CMOS Sensor |
| | Pixels | 1945(H)x1097(V) |
| Min. Illumination | Color : 0.35Lux / BW : 0.013Lux@50IRE, 0Lux(IR LED On) | |
| Scanning Mode | Progressive Scan | |
| Wide Dynamic Range | True WDR(120dB) | |
| Day and Night Mode | True Day & Night | |
| Noise Reduction | 3DNR | |
| Digital Zoom | 16X | |
| Exposure Control | Auto, Manual, Shutter Priority, Iris Priority | |
| White Balance Control | Auto, Fluorescent, Incandescent, Outdoor, Manual | |
| Back Light Compensation | Yes | |
| Image Effect | Flip | |
| Shutter Speed | 30 fps : Auto(1/30,000 to 1/3 sec), Manual | |
| | 60 fps : Auto(1/50,000 to 1/8 sec), Manual | |
| IR Illuminator | Quantity | Synchronized IR LED, Fixed IR LED |
| | Angle | 5~60° |
| | Distance | Up to 1200ft (400m) |
| VIDEO/AUDIO | | |
| Compression | H.264(Baseline, Main, High Profile), MJPEG | |
| Bitrate Control | CVBR, VBR | |
| Resolution | 1920x1080, 1280x1024, 1280x720/960, 704x480/576, 640x360/480, 320x240 | |
| Frame Rate | Max. 60 fps @ Full HD | |
| Streaming | Max 60 fps(Dual Stream : H.264x1, MJPEGx1) | |
| | Max 30 fps(Triple Stream : H.264x2, MJPEGx1) | |
| Audio Compression | AAC or G.711 (with user supplied external amplified microphone) | |
| Audio Streaming | 2 Way (with user supplied external amplified speaker) | |
| PTZ FUNCTION | | |
| Pan Range | 360° Endless | |
| Pan Speed | Max. 380°/sec.(Preset) | |
| Tilt Range | -10~90° | |
| Tilt Speed | Max. 380°/sec.(Preset) | |
| Presets, Tours, Patterns | 256 including 8 tours, 8 scan patterns, home function | |
| SYSTEM | | |
| Video Contents Analysis | Image Stabilization, Face Detection, Tampering, Line & Field Detector | |
| Motion Detection Area | 16 Programmable Areas (8 Include Areas, 8 Exclude Areas) | |
| Privacy Masking | 16 Programmable Zones | |
| Email Attachment and FTP Upload | JPEG | |
| Event Notification | E-mail, FTP, Notification Server, XML Notification, Audio Alert, AIHM | |
| Audio Alert | User-Defined 3 Audio Files | |
| Login Authority | Administrator, Operator, Guest | |
| Event Buffering | FTP | Pre : 30sec, Post : 30sec |
| | SD Record | Pre : 10sec, Post : 60sec |
| Manual Trigger | 4 Programmable Triggers | |
| Security | Multi User Authority, IP Filtering, HTTPS & SSL (for admin/settings) | |
| Network Time Sync | NTP Server, Synchronized Computer, Manual | |
| Software Reset | Restart, Reset, Factory Default | |
| Hardware Factory Reset | Yes | |
| Auto Recovery | Backup, Restore | |
| Remote Upgrade | Yes | |
| SD Recording Mode | Event, Continuous | |
| NETWORK | | |
| Protocol | TCP/IP, UDP, IPv4/v6, HTTP, HTTPS, QoS, FTP, UPnP, RTP, RTSP, RTCP, DHCP, ARP, Zeroconf, Bonjour | |
| Client Software | Internet Explorer, Titanium, Milestone, LuxRiot, Blueiris, SecuritySpy, VLC | |
| Max. User Connection | Live : 10 Users, Playback : 3 Users | |
| API Support | Open API, Onvif Compliance | |
| Mobile Support | Mobilinc, tinyCam, ONVIF compatible apps, free Titanium for use with NVR | |
| EXTERNAL IN/OUT | | |
| Audio | 1 Input, 1 Output(RCA Mono Jack) | |
| Alarm | 4 Input, 1 Output | |
| Ethernet | RJ-45(10/100Base-T) | |
| u-SD Card | MicroSDHC, MicroSDXC (Max 256GB, class 10 or faster) | |
| ETC | | |
| Operating Humidity | 0 to 100 % RH (Weatherproof in rain, snow, ice conditions) | |
| Operating Temperature | -22 degrees F to +149 degrees Fahrenheit (-30 to +65 °C) | |
| Power Supply | 56 V High Power PoE Injector (included), or 12VDC | |
| Power Consumption | 500mA (28W) @ PoE | |
| | 2,300mA (28W) @ 12VDC | |
| Dimension | 8.0" diameter x 12" height | |
| Net Weight | Approx. 10.8 lbs (4.9kg) | |
| Ingress Protection | IP66 | |

Specifications are subject to change without notice.

