



Sharx HTNC4420PTZ

Full HD 60 fps Indoor/Outdoor Day/Night PTZ Dome, 20x Zoom

Key Features

- Full HD (1920x1080) 60 fps for capturing fast motion or 30 fps for higher light sensitivity
- Motorized Vari-Focal 4.7 to 94 mm, full PTZ motorized 20 x optical zoom and auto focus
- True Wide Dynamic Range (120 dB)
- True Day & Night mode (use external IR illuminator for night vision in total darkness)
- 360 degrees endless pan / rotation
- 100 degrees tilt range
- 380 degrees per second pan or tilt speed with presets
- 256 preset PTZ settings including tours, scans, privacy and motion presets
- Connectors for Audio In/Out (1/1), Alarm In/Out (1/1)
- Solid metal base with concealed cable connection on ceiling or with optional wall bracket
- MicroSDHC Card up to 256 GB (optionally available from Sharx Security)
- PoE, 12VDC, or 24V AC (power supply not included)



Key Functions

- Auto Exposure, Auto White Balance, Backlight Compensation
- Triple Stream (H.264, MJPEG) for simultaneous access to lo and hi resolution
- Onvif Profile S for compatibility with existing NVRs or software
- Easy Installation with IP Discovery software for Windows or Bonjour for Mac
- Full support for Internet Explorer, partial support for other browsers
- Advanced Intelligent Health Management automated diagnostic notification
- Event Boosting, FTP Image Upload, Open VPN, QoS, IP Filtering
- Privacy Masking with Face Detection
- Event Buffering for showing video prior to motion detection or other event

Similar Models in this series

- **HTNC4410M** (10 x motorized zoom, bullet style camera)
- **HTNC4503M** (5 Megapixel, 3 x motorized zoom, bullet style camera)
- **HTNC4403DM** (IR dome, 3 x zoom)
- **HTNC4430XIR** (IR PTZ, 30 x zoom, extended IR 1200 ft night vision)

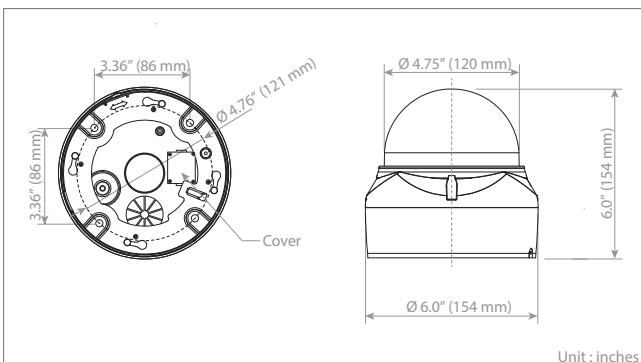
Software

- Includes free 64 camera recording / viewing software for PC, viewing for Mac
- Supports free 8 camera Milestone VMS or free 9 camera LuxRiot EVO VMS
- Supports 16 camera Blueiris on PCs, 16 camera SecuritySpy on Mac
- Supports 24 camera LuxRiot EVO S (available from Sharx Security)
- Supports 5000 camera LuxRiot Global (available from Sharx Security)

Optional Sharx Accessories

- **HDB** Outdoor Wall Bracket with concealed cabling, suitable for pre-wiring
- **HCS** Indoor Flush Mount Ceiling Support Bracket, suitable for pre-wiring
- **ECP** or **ETP** series PoE extenders for up to 1.5 miles range over Coax or Cat5e
- **HTNR16560**: 480 fps 16-camera NVR with PoE, up to 20 TB local storage
- **HTNR32620**: 960 fps 32-camera NVR with PoE, up to 40 TB local storage
- **HTNR64600S**: 1920 fps 64-camera NVR, up to 80 TB local storage
- **HTVM80600S**: 3840 fps 128-camera 2/4/8 NVR Link, up to 80 TB offsite storage

Dimensions



Technical Specifications

Model		Sharx Security HTNC4420PTZ
IMAGE		
Lens		Optical Zoom 20X, 4.7~94mm
Angle of View		55.5° (standard perspective) to 3° (super telephoto), horizontal measurement
Image Sensor	Type	1/2.8" SONY STARVIS CMOS Sensor
	Pixels	1945(H)x1097(V)
Min. Illumination		Color : 0.35Lux, BW : 0.013Lux@50IRE
Scanning Mode		Progressive Scan
Wide Dynamic Range		True WDR (120dB)
Day and Night Mode		True Day & Night
Noise Reduction		3DNR
Digital Zoom		16X
Exposure Control		Auto, Manual, Shutter Priority, Iris Priority
White Balance Control		Auto, Fluorescent, Incandescent, Outdoor, Manual
Back Light Compensation		Yes
Image Effect		Flip
Shutter Speed		30fps : Auto(1/30,000 to 1/3 sec), Manual 60fps : Auto(1/50,000 to 1/3 sec), Manual
VIDEO/AUDIO		
Compression		H.264(Baseline, Main, High Profile), MJPEG
Bitrate Control		CVBR, VBR
Resolution		1920x1080, 1280x1024, 1280x720/960, 704x480/576, 640x360/480, 320x240
Frame Rate		Max. 60fps
Streaming		60 fps(Dual Stream : H.264x1, MJPEGx1) 30 fps(Triple Stream : H.264x2, MJPEGx1)
Audio Compression		AAC or G.711 (with user supplied external amplified microphone)
Audio Streaming		2 Way (with user supplied external amplified speaker)
PTZ FUNCTION		
Pan Range		360° Endless
Pan Speed		Max. 380°/sec.(Preset)
Tilt Range		-10°~190°
Tilt Speed		Max. 380°/sec.(Preset)
Auto Calibration		0.1~6"
Preset		256
Tour		8
Pattern		8
Home Function		Yes
SYSTEM		
Video Contents Analysis		Image Stabilization, Face Detection, Tamper, Line & Field Detection
Motion Detection Area		16 Programmable Areas (8 Include Areas, 8 Exclude Areas)
Privacy Masking		16 Programmable Zones
Email Attachment and FTP Upload		JPEG
Event Notification		E-mail, FTP, Notification Server, XML Notification, Audio Alert, AIHM
Audio Alert		User-Defined 3 Audio Files
Login Authority		Administrator, Operator, Guest
Event Buffering	FTP	Pre : 30sec, Post : 30sec
	SD Record	Pre : 10sec, Post : 60sec
Manual Trigger		4 Programmable Trigger
Security		Multi User Authority, IP Filtering, HTTPS & SSL (for admin/settings)
Network Time Sync		NTP Server, Synchronized Computer, Manual
Software Reset		Restart, Reset, Factory Default
Hardware Factory Reset		Yes
Auto Recovery		Backup, Restore
Remote Upgrade		Yes
SD Recording Mode		Event, Continuous
NETWORK		
Protocol		TCP/IP, UDP, IPv4/v6, HTTP, HTTPS, QoS, FTP, UPnP, RTP, RTSP, RTCP, DHCP, ARP, Zeroconf, Bonjour
Client Software		Internet Explorer, Titanium, Milestone, LuxRiot, Blueiris, SecuritySpy, VLC
Max. User Connection		Live : 10 Users, Playback : 3 Users
API Support		Open API, Onvif Compliance
Mobile Support		Mobilinc, tinyCam, ONVIF compatible apps, free Titanium for use with NVR
EXTERNAL IN/OUT		
Audio		1 Input, 1 Output(3.5mm Stereo Jack)
Alarm		4 Inputs, 1 Output
Ethernet		RJ-45(10/100Base-T)
u-SD Card		MicroSDHC, MicroSDXC (Max 256GB, class 10 or faster)
ETC		
Operating Humidity		0 to 100% RH (Weatherproof in rain, snow, ice conditions)
Operating Temperature		-22 F to +122 F powered by 24VAC, +14 F to +122 F powered by PoE or 12 V
Power Supply		PoE (IEEE802.3af Compliance, Class0), 12VDC, 24V AC
Power Consumption		250mA(12W) @ PoE 1,000mA(12W) @ 12VDC, 1500mA(22W) @ 24V AC
Dimension		6" diameter x 6" height (154 mm x 154 mm)
Net Weight		Approx. 3.5 lbs (1.6kg)
Ingress Protection		IP66



www.sharxsecurity.com
info@sharxsecurity.com

Copyright © 2019 Sharx Security, Inc. All rights reserved.
Specifications are subject to change without notice.