



Key Functions

- Auto Exposure, Auto White Balance, Backlight Compensation
- Triple Stream (H.264, MJPEG) for simultaneous access to lo and hi resolution
- Onvif Profile S for compatibility with existing NVRs or software
- Easy Installation with IP Discovery software for Windows or Bonjour for Mac
- Full support for Internet Explorer, partial support for other browsers
- Advanced Intelligent Health Management automated diagnostic notification
- Event Boosting, FTP Image Upload, Web Casting, Open VPN, QoS, IP Filtering
- Privacy Masking with Face Detection
- Event Buffering for showing video prior to motion detection or other event

Similar Models in this series

- HTNC4410M (10 x motorized zoom)
- HTNC4403DM (IR dome, 3 x zoom)
- HTNC4420PTZ (PTZ dome, 20 x zoom)
- HTNC4430XIR (IR PTZ, 30 x zoom, extended IR 1200 ft night vision)

Software

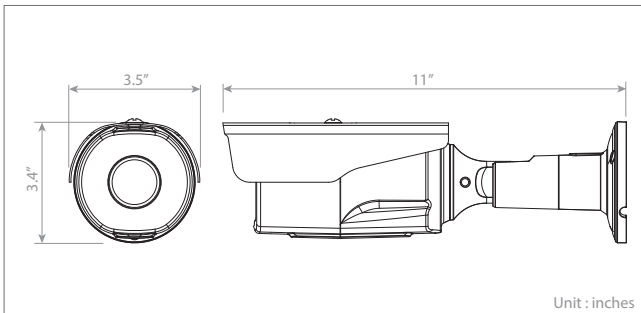
- Includes free 64 Camera Recording / Viewing Software for Windows 7 - 10
- Supports free 9 Camera LuxRiot EVO when used at up to full HD resolution
- Supports 16 Camera Blueiris on PCs, 16 camera SecuritySpy on Mac
- Supports 24 Camera LuxRiot EVO S (when purchased from Sharx Security)
- Supports 5000 Camera LuxRiot Global (when purchased from Sharx Security)

NOTE: the supported number of cameras is calculated based on full HD resolution and will be less when cameras operated at 3 Megapixel or 5 Megapixel resolution are part of the system

Optional Sharx Accessories

- HJB Outdoor Junction Box with concealed cabling, suitable for pre-wiring
- 16 GB - 128 GB MicroSD card available pre-formatted and ready to install
- ECP or ETP series PoE extenders for up to 1.5 miles range over Coax or Cat5e
- PSW4824-POE 48 volt / 24 Watt PoE injector / power supply for cold climates
- HTNR16560: 240 fps 16-camera NVR with built in PoE, up to 20 TB storage
- HTVM64600: 1920 fps 64-camera NVR with RAID feature, up to 40 TB storage
- HTVM80600: 3840 fps 128-camera NVR with RAID feature, up to 80 TB storage

Dimensions



Sharx HTNC4503M

5 Megapixel Outdoor Day/Night Camera, Motorized 3x Zoom

Key Features

- 5 Megapixel Resolution @ 15fps, 3 Megapixel Resolution @ 30 fps, Full HD @ 30 fps
- Motorized Varifocal 3.6 to 10mm Lens, Motorized 3 x optical zoom and auto focus
- True Day & Night
- Digital High Dynamic Range
- 35 high power IR LEDs for up to 100 ft Night Vision Coverage in total darkness
- Connectors for Audio In/Out (1/1), Alarm In/Out (1/1)
- Solid metal construction, cable connection concealed in camera mount
- Mounts to wall, eave or ceiling with or without optional junction box HJB
- MicroSDHC Card Up to 128 GB (cards optional, purchase from Sharx Security)
- PoE, 12VDC (power supply not included)

Technical Specifications

Model	HTNC4503M	
IMAGE		
Lens	Motorized Varifocal Zoom 3.6~10mm, F1.5, built in Auto Iris	
Angle of View	94° (wide angle) to 40°(moderate telephoto), horizontal measurement	
Image Sensor	Type	1/1.8" SONY STARVIS CMOS Sensor
	Pixels	3096(H)x2080(V)
Min. Illumination	Color : 0.1Lux / BW : 0Lux@F1.5, 50IRE (IR LED On)	
Scanning Mode	Progressive Scan	
High Dynamic Range	Digital-WDR (Sony ATR-EX Adaptive Tone Reproduction)	
Day and Night Mode	True Day & Night (Auto, Day, Night)	
Noise Reduction	3DNR	
Digital Zoom	16X	
Exposure Control	Auto	
White Balance Control	Auto, Incandescent, Fluorescent, Outdoor	
Back Light Compensation	Yes	
Image Effect	Flip, Mirror, Aisle, Highlight Compensation, Distortion Correction	
Flicker Free Mode	50Hz, 60Hz	
Shutter Speed	Auto(1/10,000 to 1sec), Manual	
IR Illuminator	Quantity	35 IR LEDs, adjustable strength
	Angle	76°(H)
	Distance	Up to 100 ft IR night vision in total darkness
Motorized Lens Control	Yes	
VIDEO/AUDIO		
Compression	H.264(Baseline, Main, High Profile), MJPEG	
Bitrate Control	CVBR, VBR	
Resolution	2592x1944, 2560x1600, 2560x1440, 2048x1536, 1920x1080, 1280x1024, 1280x720/960, 1024x768, 704x480/576, 640x360/480, 320x240	
Frame Rate	Max 15fps @ 5 Megapixels, 30 fps @ 3 Megapixels or Full HD	
Streaming	15fps(Triple Stream : H.264x2, MJPEGx1)	
Composite Out	No	
Audio Compression	AAC or G.711 (with user supplied external amplified microphone)	
Audio Streaming	2 Way (with user supplied external amplified speaker)	
SYSTEM		
Video Contents Analysis	Tampering, Line Detector, Field Detector	
Motion Detection Area	16 Programmable Area (8 Include Areas, 8 Exclude Areas)	
Special Features	Aisle Mode (90 or 270 degree rotation), 8 Privacy Zones	
Email Attachment or FTP Upload	JPEG	
Event Notification	E-mail, FTP, Notification Server, XML Notification, Audio Alert, AIHM	
Audio Alert	User-Defined 3 Audio Files	
Login Authority	Administrator, Operator, Guest	
Event Buffering	FTP	Pre : 30sec, Post : 30sec
	SD Record	Pre : 10sec, Post : 60sec
Manual Trigger	4 Programmable Triggers	
Security	Multi User Authority, IP Filtering, HTTPS & SSL (for admin/settings)	
Network Time Sync	NTP Server, Synchronized Computer, Manual	
Software Reset	Restart, Reset, Factory Default	
Hardware Factory Reset	Yes	
Auto Recovery	Backup, Restore	
Remote Upgrade	Yes	
SD Recording Mode	Event, Continuous	
NETWORK		
Protocol	TCP/IP, UDP, IPv4/v6, HTTP, HTTPS, QoS, FTP, UPnP, RTP, RTSP, RTPC, DHCP, ARP, Zeroconf, Bonjour	
Client Software	Internet Explorer, SmartManager, Titanium, LuxRiot, Blueiris, SecuritySpy	
Max. User Connection	Live : up to 10 Users, Playback : up to 3 Users	
API Support	Open API, Onvif Compliance	
Mobile Support	User definable stream works in MobiLinc and other apps	
EXTERNAL IN/OUT		
Audio	1 Input, 1 Output(Terminal Block)	
Alarm	1 Input, 1 Output(Terminal Block)	
Ethernet	RJ-45(10/100Base-T)	
u-SD Card	SDHC, SDXC (Max 128GB, card must be purchased from Sharx Security)	
ETC		
Operating Humidity	0 to 100%RH (Weatherproof in rain, snow, ice conditions)	
Operating Temperature	-4 to +120 degrees Fahrenheit (-20 to +50 °C)	
Power Supply	PoE (IEEE802.3af Compliance, Class0), 12VDC	
Power Consumption	180mA(8.5W)@PoE / 680mA(8.2W)@12VDC	
Dimension	3.5" (Width) x 3.4" (Height) x 9" (Length) / 90 (W) x 86 (H) x 279 (D) mm	
Net Weight	Approx. 2.3 lbs (1.04 kg)	
Ingress Protection	IP66	



www.sharxsecurity.com
info@sharxsecurity.com

Copyright © 2018 Sharx Security, Inc. All rights reserved.

Specifications are subject to change without notice.