



Sharx HTNC4430XIR

Full HD 60 fps Outdoor PTZ 30x Zoom 1200 ft IR Night Vision



Key Functions

- Auto Exposure, Auto White Balance, Backlight Compensation
- Triple Stream (H.264, MJPEG) for simultaneous access to lo and hi resolution
- Onvif Profile S for compatibility with existing NVRs or software
- Easy Installation with IP Discovery software for Windows or Bonjour for Mac
- Full support for Internet Explorer, partial support for other browsers
- Advanced Intelligent Health Management automated diagnostic notification
- Event Boosting, FTP Image Upload, Web Casting, Open VPN, QoS, IP Filtering
- Privacy Masking with Face Detection
- Event Buffering for showing video prior to motion detection or other event

Similar Models in this series

- HTNC4410M (10 x motorized zoom)
- HTNC4503M (5 Megapixel, 3 x motorized zoom)
- HTNC4403DM (IR dome, 3 x zoom)
- HTNC4420PTZ (PTZ dome, 20 x zoom)

Software

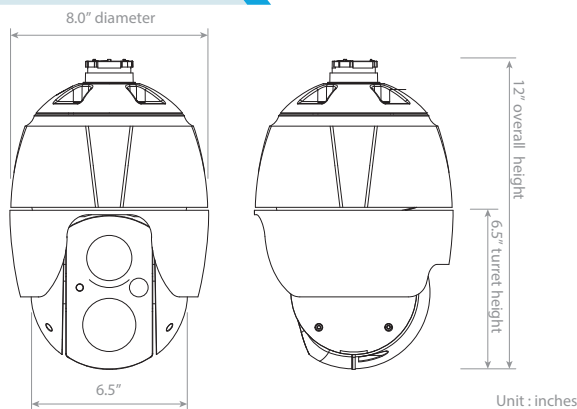
- Includes free 64 Camera Recording / Viewing Software for Windows 7 - 10
- Supports free 9 Camera LuxRiot EVO
- Supports 16 Camera Bluelris on PCs, 16 camera SecuritySpy on Mac
- Supports 24 Camera LuxRiot EVO S (when purchased from Sharx Security)
- Supports 5000 Camera LuxRiot Global (when purchased from Sharx Security)

Optional Sharx Accessories

- HDB2 Extra Heavy Duty Wall Mount Bracket, suitable for pre-wiring
- 16 GB - 128 GB MicroSD card available pre-formatted and ready to install
- ECP or ETP series PoE extenders for up to 1.5 miles range over Coax or Cat5e
- HTNR16560: 240 fps 16-camera NVR with built in PoE, up to 20 TB storage
- HTVM64600: 1920 fps 64-camera NVR with built in PoE, up to 40 TB storage
- HTVM80600: 3840 fps 128-camera NVR with built in PoE, up to 80 TB storage

NOTE: The HTNR16560 NVR can provide power for most other PoE cameras but this model HTNC4430XIR must be powered by the high power PoE injector included with the camera

Dimensions



Key Features

- Full HD(1920x1080) 60fps for capturing fast motion or 30fps for higher light sensitivity
- Motorized Vari-Focal 4.3 to 129 mm, full PTZ motorized 30 x optical zoom and auto focus
- True Day & Night mode with 1200 ft IR night vision in total darkness
- True Wide Dynamic Range (120dB)
- 360 degrees endless pan / rotation, 380 degrees per second pan or tilt speed with presets
- 100 degrees tilt range
- 256 preset PTZ settings including tours, scans, privacy and motion presets
- Solid metal base with concealed cable connection on ceiling or with optional wall bracket
- MicroSDHC Card Up to 128 GB (cards optional, purchase from Sharx Security)
- High Power PoE, 12VDC (56 V PoE power supply is included)

Technical Specifications

Model		HTNC4430XIR
IMAGE		
Lens		Motorized Vari-Focal Optical Zoom 30X, 4.3~129mm
Angle of View		65° (moderate wide angle) ~ 2.23° (super telephoto)
Image Sensor	Type	1/2.8" SONY STARVIS CMOS Sensor
	Pixels	1945(H)x1097(V)
Min. Illumination		Color : 0.35Lux / BW : 0.013Lux@50IRE, 0Lux(IR LED On)
Scanning Mode		Progressive Scan
Wide Dynamic Range		True WDR(120dB)
Day and Night Mode		True Day & Night
Noise Reduction		3DNR
Digital Zoom		16X
Exposure Control		Auto, Manual, Shutter Priority, Iris Priority
White Balance Control		Auto, Fluorescent, Incandescent, Outdoor, Manual
Back Light Compensation		Yes
Image Effect		Flip
Shutter Speed		30 fps : Auto(1/30,000 to 1/3 sec), Manual 60 fps : Auto(1/50,000 to 1/8 sec), Manual
IR Illuminator	Quantity	Synchronized IR LED, Fixed IR LED
	Angle	5~60°
	Distance	Up to 1200ft (400m)
VIDEO/AUDIO		
Compression		H.264(Baseline, Main, High Profile), MJPEG
Bitrate Control		CVBR, VBR
Resolution		1920x1080, 1280x1024, 1280x720/960, 704x480/576, 640x360/480, 320x240
Frame Rate		Max. 60 fps @ Full HD
Streaming		Max 60 fps(Dual Stream : H.264x1, MJPEGx1) Max 30 fps(Triple Stream : H.264x2, MJPEGx1)
Audio Compression		AAC or G.711 (with user supplied external amplified microphone)
Audio Streaming		2 Way (with user supplied external amplified speaker)
PTZ FUNCTION		
Pan Range		360° Endless
Pan Speed		Max. 380°/sec.(Preset)
Tilt Range		-10~90°
Tilt Speed		Max. 380°/sec.(Preset)
Presets, Tours, Patterns		256 including 8 tours, 8 scan patterns, home function
SYSTEM		
Video Contents Analysis		Image Stabilization, Face Detection, Tampering, Line & Field Detector
Motion Detection Area		16 Programmable Areas (8 Include Areas, 8 Exclude Areas)
Privacy Masking		16 Programmable Zones
Email Attachment and FTP Upload		JPEG
Event Notification		E-mail, FTP, Notification Server, XML Notification, Audio Alert, AIHM
Audio Alert		User-Defined 3 Audio Files
Login Authority		Administrator, Operator, Guest
Event Buffering	FTP	Pre : 30sec, Post : 30sec
	SD Record	Pre : 10sec, Post : 60sec
Manual Trigger		4 Programmable Triggers
Security		Multi User Authority, IP Filtering, HTTPS & SSL (for admin/settings)
Network Time Sync		NTP Server, Synchronized Computer, Manual
Software Reset		Restart, Reset, Factory Default
Hardware Factory Reset		Yes
Auto Recovery		Backup, Restore
Remote Upgrade		Yes
SD Recording Mode		Event, Continuous
NETWORK		
Protocol		TCP/IP, UDP, IPv4/v6, HTTP, HTTPS, QoS, FTP, UPnP, RTP, RTSP, RTP, DHCP, ARP, Zeroconf, Bonjour
Client Software		Internet Explorer, SmartManager, Titanium, LuxRiot, Bluelris, SecuritySpy
Max. User Connection		Live : 10 Users, Playback : 3 Users
API Support		Open API, Onvif Compliance
Mobile Support		User definable stream works in Mobilinc Cam viewer and other apps
EXTERNAL IN/OUT		
Audio		1 Input, 1 Output(RCA Mono Jack)
Alarm		4 Input, 1 Output
Ethernet		RJ-45(10/100Base-T)
u-SD Card		SDHC (Max. 128 GB, card must be purchased from Sharx Security)
ETC		
Operating Humidity		0 to 100 % RH (Weatherproof in rain, snow, ice conditions)
Operating Temperature		-22 degrees F to +149 degrees Fahrenheit (-30 to +65 °C)
Power Supply		56 V High Power PoE Injector (included), or 12VDC
Power Consumption		500mA (28W) @ PoE 2,300mA (28W) @ 12VDC
Dimension		8.0" diameter x 12" height
Net Weight		Approx. 10.8 lbs (4.9kg)
Ingress Protection		IP66

Specifications are subject to change without notice.

