



Sharx HTNC4420PTZ

Full HD 60 fps Indoor/Outdoor Day/Night PTZ Dome, 20x Zoom

Key Features

- Full HD (1920x1080) 60 fps for capturing fast motion or 30 fps for higher light sensitivity
- Motorized Vari-Focal 4.7 to 94 mm, full PTZ motorized 20 x optical zoom and auto focus
- True Wide Dynamic Range (120 dB)
- True Day & Night mode (use external IR illuminator for night vision in total darkness)
- 360 degrees endless pan / rotation
- 100 degrees tilt range
- 380 degrees per second pan or tilt speed with presets
- 256 preset PTZ settings including tours, scans, privacy and motion presets
- Connectors for Audio In/Out (1/1), Alarm In/Out (1/1)
- Solid metal base with concealed cable connection on ceiling or with optional wall bracket
- MicroSDHC Card Up to 128 GB (cards optional, purchase from Sharx Security)
- PoE, 12VDC, or 24V AC (power supply not included)



Key Functions

- Auto Exposure, Auto White Balance, Backlight Compensation
- Triple Stream (H.264, MJPEG) for simultaneous access to lo and hi resolution
- Onvif Profile S for compatibility with existing NVRs or software
- Easy Installation with IP Discovery software for Windows or Bonjour for Mac
- Full support for Internet Explorer, partial support for other browsers
- Advanced Intelligent Health Management automated diagnostic notification
- Event Boosting, FTP Image Upload, Web Casting, Open VPN, QoS, IP Filtering
- Privacy Masking with Face Detection
- Event Buffering for showing video prior to motion detection or other event

Similar Models in this series

- **HTNC4404M** (4 x motorized zoom), **HTNC4410M** (10 x motorized zoom)
- **HTNC4503M** (5 Megapixel, 3 x motorized zoom)
- **HTNC4403DM** (IR dome, 3 x zoom), **HTNC4420PTZ** (PTZ dome, 20 x zoom)
- **HTNC4430XIR** (IR PTZ, 30 x zoom, extended IR 1200 ft night vision)

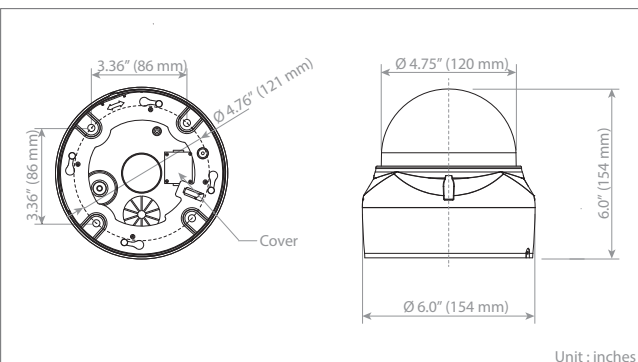
Software

- Includes free 64 Camera Recording / Viewing Software for Windows 7 - 10
- Supports free 9 Camera LuxRiot EVO
- Supports 16 Camera BlueIris on PCs, 16 camera SecuritySpy on Mac
- Supports 24 Camera LuxRiot EVO S (when purchased from Sharx Security)
- Supports 80-2000 Camera IP-Matrix (when purchased from Sharx Security)
- Supports 5000 Camera LuxRiot Global (when purchased from Sharx Security)

Optional Sharx Accessories

- **HDB** Outdoor Wall Bracket with concealed cabling, suitable for pre-wiring
- **HCS** Indoor Flush Mount Ceiling Support Bracket, suitable for pre-wiring
- 16 GB - 128 GB MicroSD card available pre-formatted and ready to install
- **HTNR16560**: 240 fps NVR, up to 20 TB storage, PoE power for 16 cameras

Dimension



Technical Specifications

Model	Sharx Security HTNC4420PTZ	
IMAGE		
Lens	Optical Zoom 20X, 4.7~94mm	
Angle of View	55.5° (standard perspective) to 3° (super telephoto), horizontal measurement	
Image Sensor	Type	1/2.8" SONY STARVIS CMOS Sensor
	Pixels	1945(H)x1097(V)
Min. Illumination	Color : 0.35Lux, BW : 0.013Lux@50IRE	
Scanning Mode	Progressive Scan	
Wide Dynamic Range	True WDR (120dB)	
Day and Night Mode	True Day & Night	
Noise Reduction	3DNR	
Digital Zoom	16X	
Exposure Control	Auto, Manual, Shutter Priority, Iris Priority	
White Balance Control	Auto, Fluorescent, Incandescent, Outdoor, Manual	
Back Light Compensation	Yes	
Image Effect	Flip	
Shutter Speed	30fps : Auto(1/30,000 to 1/3 sec), Manual 60fps : Auto(1/50,000 to 1/3 sec), Manual	
VIDEO/AUDIO		
Compression	H.264(Baseline, Main, High Profile), MJPEG	
Bitrate Control	CVBR, VBR	
Resolution	1920x1080, 1280x1024, 1280x720/960, 704x480/576, 640x360/480, 320x240	
Frame Rate	Max. 60fps	
Streaming	60 fps(Dual Stream : H.264x1, MJPEGx1) 30 fps(Triple Stream : H.264x2, MJPEGx1)	
Audio Compression	G.711 (with user supplied external amplified microphone)	
Audio Streaming	2 Way (with user supplied external amplified speaker)	
PTZ FUNCTION		
Pan Range	360° Endless	
Pan Speed	Max. 380°/sec.(Preset)	
Tilt Range	-10°~190°	
Tilt Speed	Max. 380°/sec.(Preset)	
Auto Calibration	0.1~6'	
Preset	256	
Tour	8	
Pattern	8	
Home Function	Yes	
SYSTEM		
Video Contents Analysis	Image Stabilization, Face Detection, Tamper, Line & Field Detection	
Motion Detection Area	16 Programmable Areas (8 Include Areas, 8 Exclude Areas)	
Privacy Masking	16 Programmable Zones	
Email Attachment and FTP Upload	JPEG	
Event Notification	E-mail, FTP, Notification Server, XML Notification, Audio Alert, AIHM	
Audio Alert	User-Defined 3 Audio Files	
Login Authority	Administrator, Operator, Guest	
Event Buffering	FTP	Pre : 30sec, Post : 30sec
	SD Record	Pre : 10sec, Post : 60sec
Manual Trigger	4 Programmable Trigger	
Security	Multi User Authority, IP Filtering, HTTPS & SSL (for admin/settings)	
Network Time Sync	NTP Server, Synchronized Computer, Manual	
Software Reset	Restart, Reset, Factory Default	
Hardware Factory Reset	Yes	
Auto Recovery	Backup, Restore	
Remote Upgrade	Yes	
SD Recording Mode	Event, Continuous	
NETWORK		
Protocol	TCP/IP, UDP, IPv4/v6, HTTP, HTTPS, QoS, FTP, UPnP, RTP, RTSP, RTCP, DHCP, ARP, Zeroconf, Bonjour	
Client Software	Internet Explorer, SmartManager, Titanium, LuxRiot, BlueIris, SecuritySpy	
Max. User Connection	Live : 10 Users, Playback : 3 Users	
API Support	Open API, Onvif Compliance	
Mobile Support	User definable stream works in Mobilinc Cam viewer and other apps	
EXTERNAL IN/OUT		
Audio	1 Input, 1 Output(3.5mm Stereo Jack)	
Alarm	4 Inputs, 1 Output	
Ethernet	RJ-45(10/100Base-T)	
u-SD Card	SDHC (Max. 128GB, card must be purchased from Sharx Security)	
ETC		
Operating Humidity	0 to 100% RH (Weatherproof in rain, snow, ice conditions)	
Operating Temperature	-22 F to +122 F powered by 24VAC, +14 F to +122 F powered by PoE or 12 V	
Power Supply	PoE (IEEE802.3af Compliance, Class0), 12VDC, 24V AC	
Power Consumption	250mA(12W) @ PoE 1,000mA(12W) @ 12VDC, 1500mA(22W) @ 24V AC	
Dimension	6" diameter x 6" height (154 mm x 154 mm)	
Net Weight	Approx. 3.5 lbs (1.6kg)	
Ingress Protection	IP66	



www.sharxsecurity.com
info@sharxsecurity.com
Copyright © 2017 Sharx Security, Inc. All rights reserved.
Specifications are subject to change without notice.