



Sharx HTNC4404M

Full HD 60 fps Outdoor Day/Night Camera, Motorized 4x Zoom



Key Functions

- Auto Exposure, Auto White Balance, Backlight Compensation
- Triple Stream (H.264, MJPEG) for simultaneous access to lo and hi resolution
- Onvif Profile S for compatibility with existing NVRs or PC or Mac software
- Easy Installation with IP discovery software for Windows or Bonjour for Mac
- Full support for Internet Explorer, partial support for other browsers
- Advanced Intelligent Health Management automated diagnostic notification
- Event Boosting, FTP Image Upload, Web Casting, Open VPN, QoS, IP Filtering
- Privacy Masking with Face Detection
- Event Buffering for showing video prior to motion detection or other event

Similar Models in this series

- HTNC4404M (4 x motorized zoom), HTNC4410M (10 x motorized zoom)
- HTNC4503M (5 Megapixel, 3 x motorized zoom)
- HTNC4403DM (IR dome, 3 x zoom), HTNC4420PTZ (PTZ dome, 20 x zoom)
- HTNC4430XIR (IR PTZ, 30 x zoom, extended IR 1200 ft night vision)

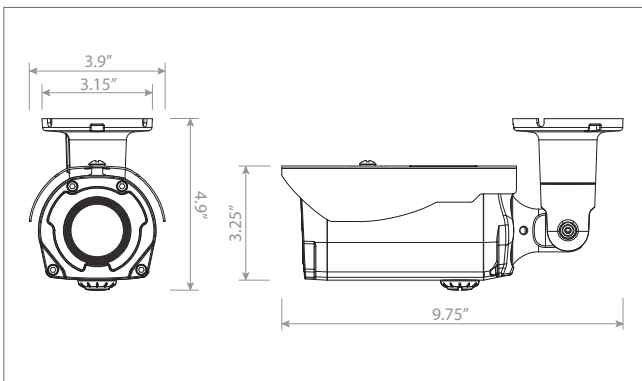
Software

- Includes free 64 Camera Recording / Viewing Software for Windows 7 - 10
- Supports free 9 Camera LuxRiot EVO
- Supports 16 Camera Blueiris on PCs, 16 camera SecuritySpy on Mac
- Supports 24 Camera LuxRiot EVO S (when purchased from Sharx Security)
- Supports 80 - 2000 Camera IP-Matrix (when purchased from Sharx Security)
- Supports 5000 Camera LuxRiot Global (when purchased from Sharx Security)

Optional Sharx Accessories

- HJB Outdoor Junction Box with concealed cabling, suitable for pre-wiring
- 16 GB - 128 GB MicroSD card available pre-formatted and ready to install
- HTNR16560: 16 camera NVR with built in PoE switch and up to 20 TB storage

Dimensions



Key Features

- Full HD(1920x1080) 60fps for capturing fast motion or 30fps for higher light sensitivity
- Motorized Vari-Focal 2.8~11mm (F1.4), motorized 4 x optical zoom and auto focus
- True Wide Dynamic Range (120dB)
- True Day & Night
- 32 IR LEDs with adjustable output strength for 75 ft Night Vision Coverage in total darkness
- Connectors for Audio In/Out (1/1), Alarm In/Out (1/1)
- Solid metal construction, cable connection concealed in camera mount
- MicroSDHC Card Up to 128 GB (cards optional, purchase from Sharx Security)
- PoE, 12VDC (power supply not included)

Technical Specifications

Model		Sharx Security HTNC4404M
IMAGE		
Lens		Motorized Vari-Focal Zoom 2.8 to 11.0 mm, F1.4, built in Auto IRIS
Angle of View		105° (wide angle) to 38° (moderate telephoto), horizontal measurement
Image Sensor	Type	1/2.8" SONY Exmor CMOS Sensor
	Pixels	1944(H)x1224(V)
Min. Illumination		Color : 0.1Lux / BW : 0 Lux@F1.4, 50 IRE (IR LED On)
Scanning Mode		Progressive Scan
Wide Dynamic Range		True WDR(120dB)
Day and Night Mode		True Day & Night (Auto, Day, Night)
Noise Reduction		3DNR
Digital Zoom		16X
Exposure Control		Auto, Hold Current
White Balance Control		Auto, Incandescent, Fluorescent, Outdoor
Back Light Compensation		Yes
Image Effect		Flip, Mirror, Aisle
Flicker Free Mode		50Hz, 60Hz
Shutter Speed		Auto (1/10,000 to 1 sec), Manual
IR Illuminator	Quantity	32 IR LEDs, adjustable strength
	Angle	78°
	Distance	Up to 75 ft (25m) IR night vision in total darkness
Motorized Lens Control		Yes
VIDEO/AUDIO		
Compression		H.264 (Baseline, Main, High Profile), MJPEG
Bitrate Control		CVBR, VBR
Resolution		1920x1080, 1280x720/960/1024, 1024x768, 704x480/576, 640x360/480, 320x240
Frame Rate		Max. 60fps @ Full-HD
Streaming		60fps (Dual Stream : H.264x1, MJPEGx1), 30fps (Triple Stream : H.264x2, MJPEGx1)
Composite Out		Yes (requires special cable accessory, not included)
Audio Compression		G.711 (with user supplied external amplified microphone)
Audio Streaming		2 Way (with user supplied external amplified speaker)
SYSTEM		
Video Contents Analysis		Image Stabilization, Face Detection, Tampering, Line & Field Detector
Motion Detection Area		16 Programmable Areas (8 Include Areas, 8 Exclude Areas)
Special Features		Aisle Mode (90 or 270 degree rotation), 8 Privacy Zones
Email Attachment or FTP Upload		JPEG
Event Notification		E-mail, FTP, Notification Server, XML Notification, Audio Alert, AiHM
Audio Alert		User-Defined 3 Audio Files
Login Authority		Administrator, Operator (with lens control), Guest
Event Buffering	FTP	Pre : 30sec, Post : 30sec
	SD Record	Pre : 10sec, Post : 60sec
Manual Trigger		4 Programmable Triggers
Security		Multi User Authority, IP Filtering, HTTPS & SSL (for admin/settings)
Network Time Sync		NTP Server, Synchronized Computer, Manual
Software Reset		Restart, Reset, Factory Default
Hardware Factory Reset		Yes
Auto Recovery		Backup, Restore
Remote Upgrade		Yes
SD Recording Mode		Event, Continuous
NETWORK		
Protocol		TCP/IP, UDP, IPv4/v6, HTTP, HTTPS, QoS, FTP, UPnP, RTP, RTSP, RTCP, DHCP, ARP, Zeroconf, Bonjour
Client Software compatibility		Internet Explorer, SmartManager, Titanium, LuxRiot, Blueiris, SecuritySpy
Max. User Connection		Live : up to 10 Users, Playback : up to 3 Users
API Support		Open API, Onvif Compliance
Mobile Support		User definable stream works in Mobilinc Cam viewer and other apps
EXTERNAL IN/OUT		
Video Composite Out		3.5mm jack for optional accessory monitor
Audio		1 Input, 1 Output(3.5mm Stereo Jack)
Alarm		1 Input, 1 Output(Terminal Block)
Ethernet		RJ-45(10/100Base-T)
u-SD Card		SDHC(Max. 128 GB, card must be purchased from Sharx Security)
OSD Remote Control		Wired Remote Controller(3.5mm Stereo Jack, Optional)
ETC		
Operating Humidity		0 to 100 % RH (Weatherproof in rain, snow, ice conditions)
Operating Temperature		-22 to +120 degrees Fahrenheit (-30 to +50 °C)
Power Supply (not included)		PoE (IEEE802.3 af Compliance, Class0) or 12VDC
Power Consumption		260mA (12.4W) @ PoE, 870mA(10.4W) @ 12VDC, 2.33A(30W) @ 12VDC with built in Heater
Dimension		3.9" (Width) x 4.9" (Height) x 9.75" (Depth)
Net Weight		2.3 lbs (1.04 kg)
Ingress Protection		IP66



www.sharxsecurity.com
info@sharxsecurity.com
Copyright © 2017 Sharx Security, Inc. All rights reserved.

Specifications are subject to change without notice.